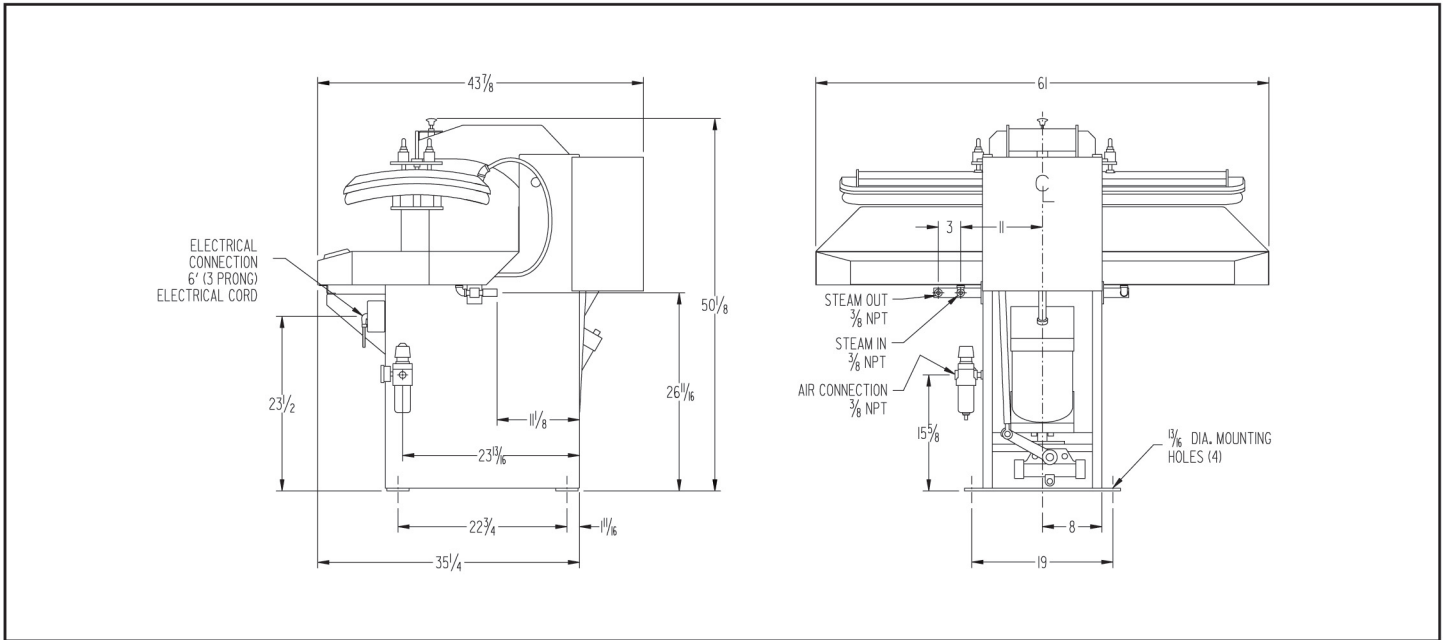
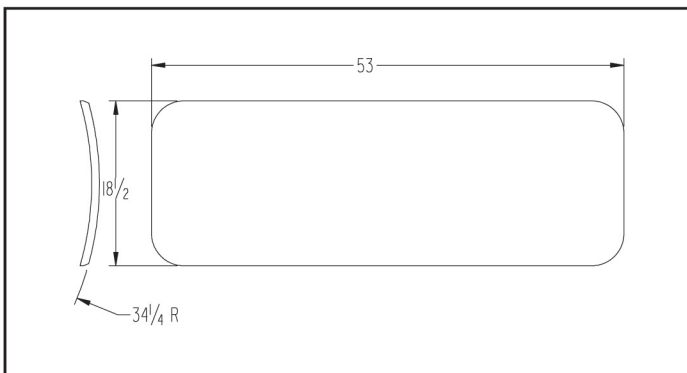


# LPZ TECHNICAL DATA



## BUCK DIMENSIONS



**Model LPZ**  
Linen Supply Press



## SPECIFICATIONS

TYPE	LPZ
Overall Height	49 1/4"
Overall Length	43 7/8"
Overall Width	61"
Steam Inlet (1)	3/8" NPT
Steam Outlet (2)	3/8" NPT
Steam Supply	100-125 PSI
Boiler Horsepower	3/4
Air Inlet	3/8" NPT
Air Supply	85 PSI Min.
Air Consumption/Cycle	1 3/4 CU. FT.
Electrical	115/1/60
Amperage	1/2 Amps
Net Weight	1,200 lbs.

Unipress reserves the right to alter or vary the specifications contained in this leaflet without notice. Drawings not to scale.

# UNIPRESS

3501 Queen Palm Drive Tampa, Florida 33619  
Telephone (813) 623-3731 FAX (813) 626-2565  
www.unipresscorp.com